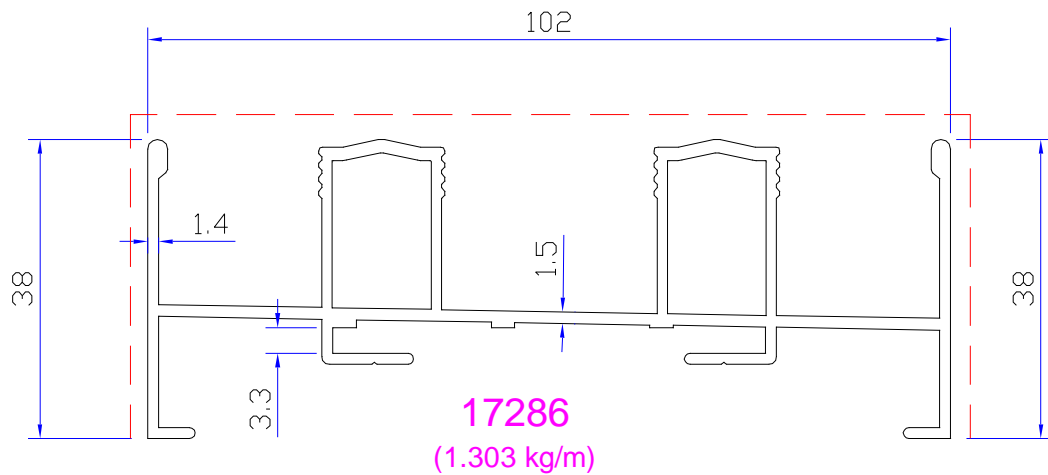
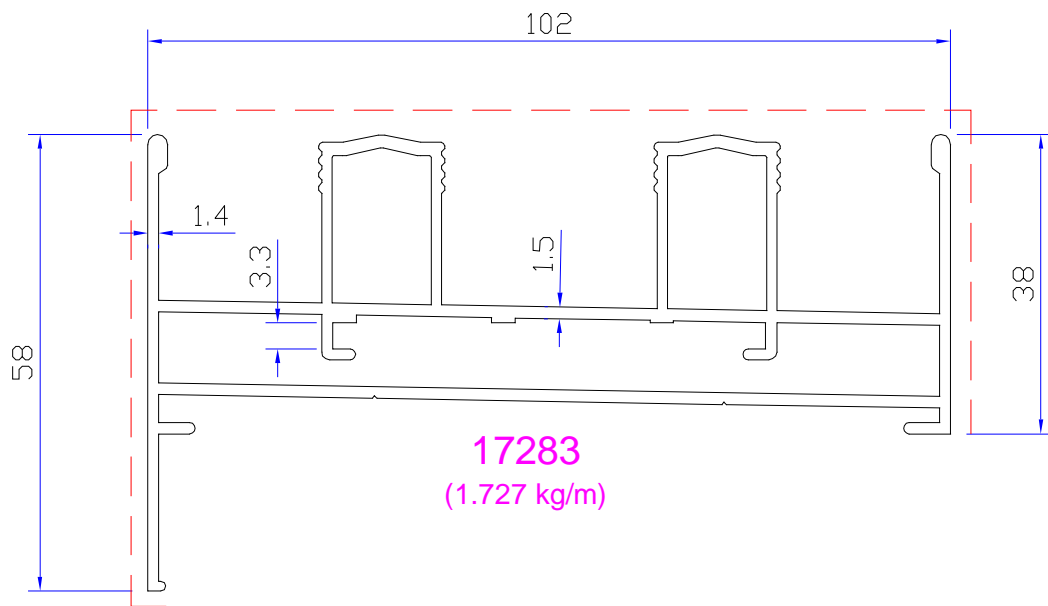
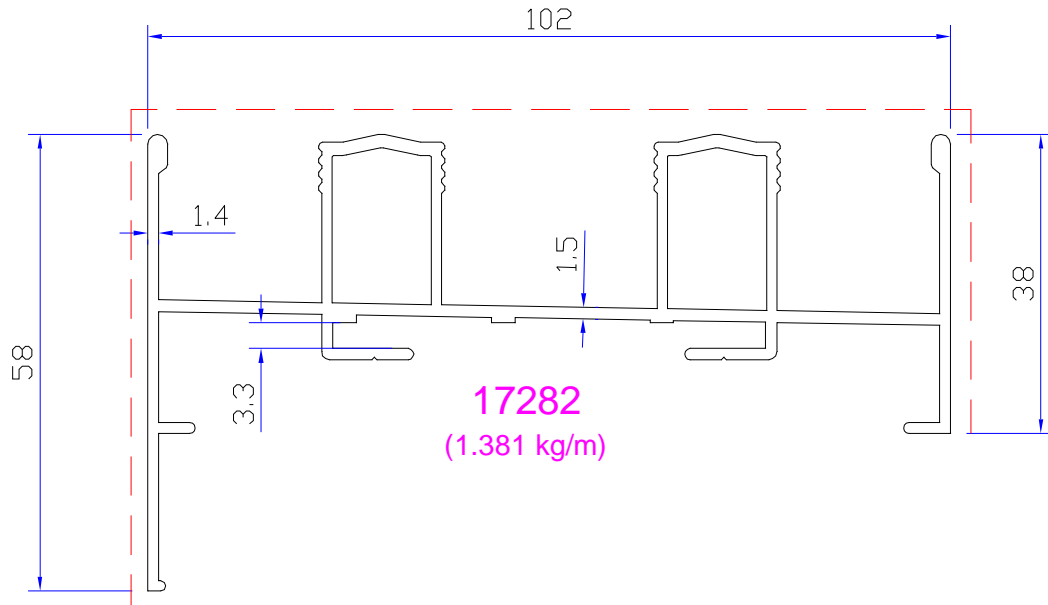
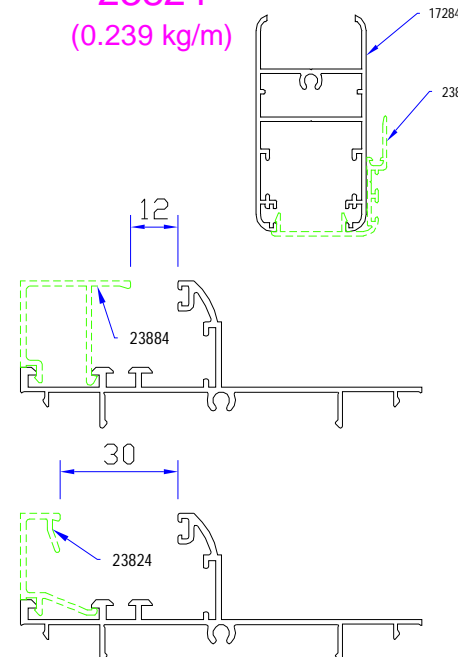
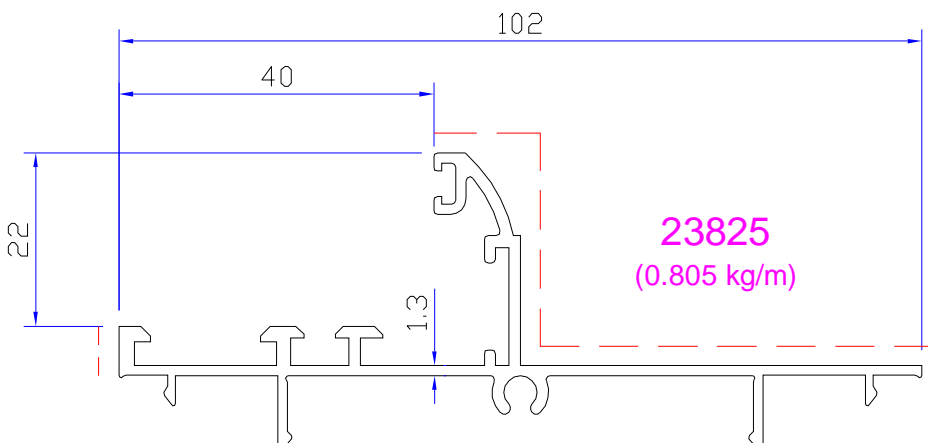
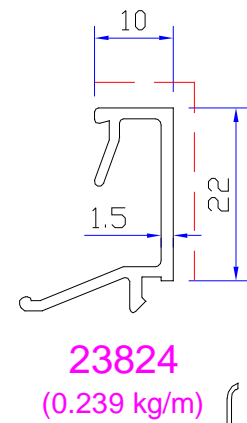
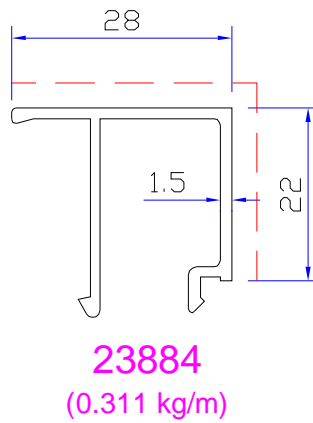
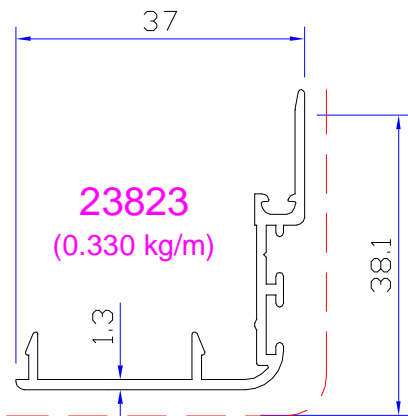
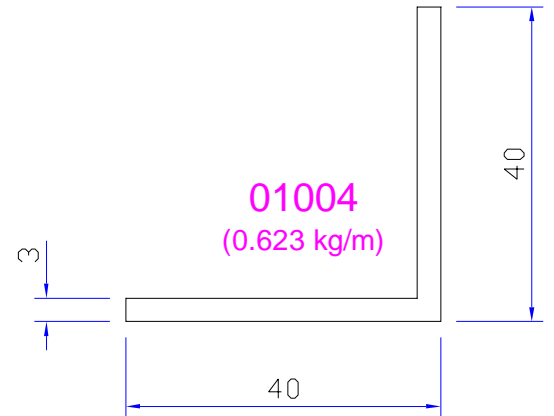
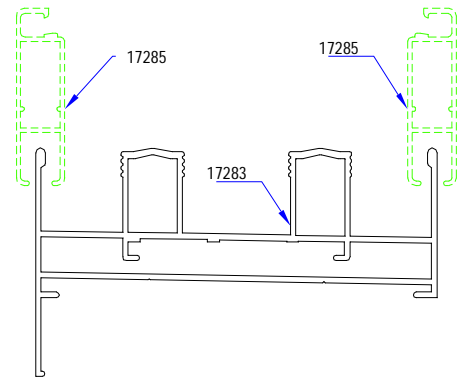
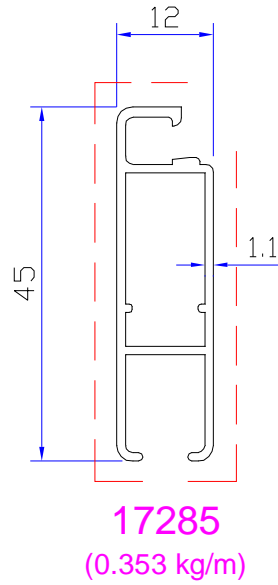
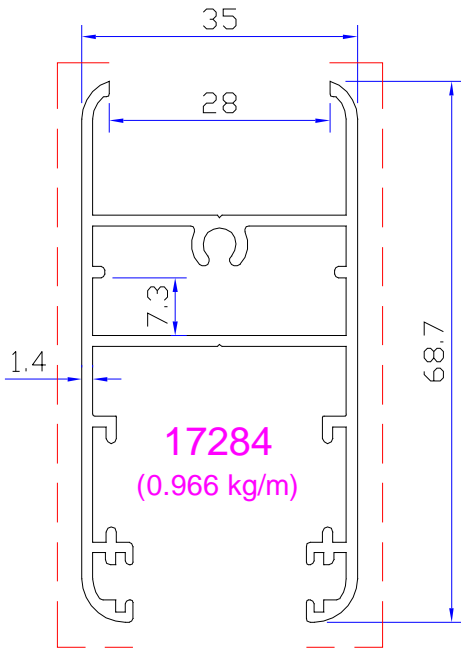


PROFILES

SLIDING WINDOW -102mm
Fly Screen Inside / Outside

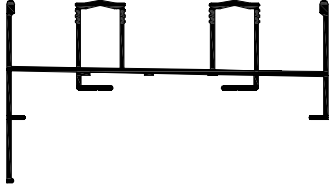
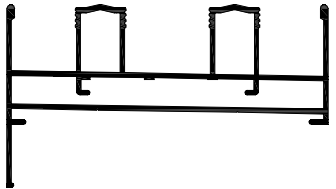
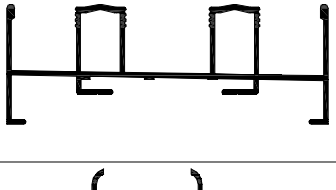
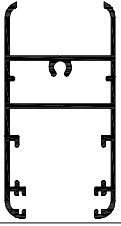
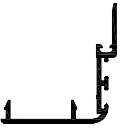
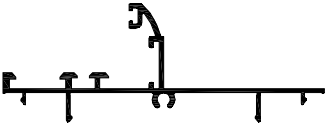
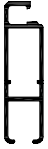


SLIDING WINDOW -102mm
Fly Screen Inside / Outside






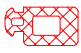


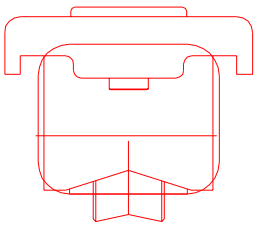
PROFILE LIST

PROFILES

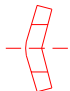
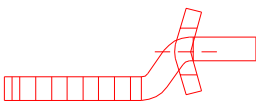
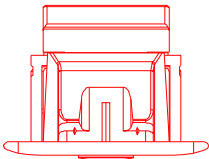
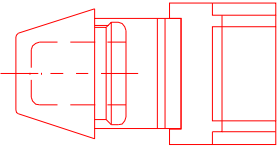
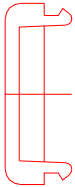
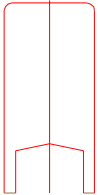
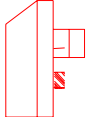
Profile Reference	Profile Section	Page	Weight Kg/m	IX cm ⁴	IY cm ⁴	WX cm ³	WY cm ³
17282		XXXX	1.381	7.522	61.450	1.946	11.383
17283		XXXX	1.727	9.652	72.819	2.702	13.640
17286		XXXX	1.303	4.841	54.581	2.373	10.672
17284		XXXX	0.966	12.609	7.326	3.646	4.135
23823		XXXX	0.330	1.479	1.524	0.540	0.609
23825		XXXX	0.805	2.079	19.097	0.874	3.351
17285		XXXX	0.353	2.373	0.316	1.021	0.485

ACCESSORIES

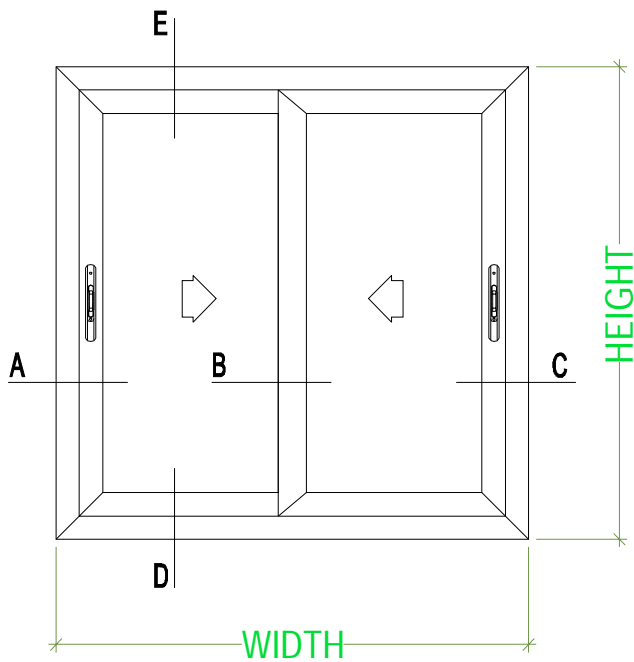
ACCESSORIES

Gasket / Accessories Reference	Section	Description	Unit
EPDM Outer Gasket BS0093/3.2		Glazing Bead Gasket	Linear Meter
EPDM Inner Gasket BS0093/3.1		To be used with Fixed Profile Gasket	Linear Meter
EPDM Gasket BS0092/6		Front Glazing Gasket Used with Sash profile	Linear Meter
EPDM Interlock Gasket BS0096/7		To be used with the Interlock	Linear Meter
Brush 6.0 High (6.5-6.8 Wide)		6.0 mm Fine Type Brush	Linear Meter
Alignment Corner BS0091		1.6MMTHICK CLEAT FOR PROPER ALIGNMENT OF FRAME PROFILES	Pieces
Roller		Adjustable Pully (Code 03116)	Pieces

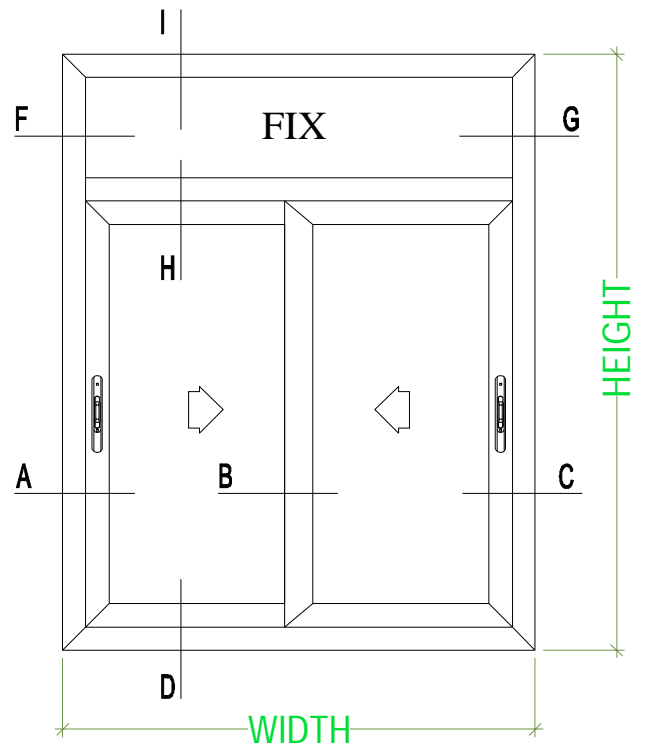
ACCESSORIES

Gasket / Accessories Reference	Section	Description	Unit
Counter Plate		Counter Plate (Code G1595750)	Pieces
NIB		Brio Plus 5 mm offset NIB (Code A4938750) available in Coupling Kit (Code 04902)	Pieces
Flush Handle		Sliding Handle (Code 02983)	Pieces
Anti -Theft		Anti -Theft Plug (Code 02290)	Pieces
End Cap		Machining End Cap (Code 03114)	Pieces
End Cap		Machining End Cap (Code 03114)	Pieces
Drainage Cap		Drainage cap (Code 02354)	Pieces

Assembly Drawing



2 Sash Sliding Window
With Fly screen Inside /Out side

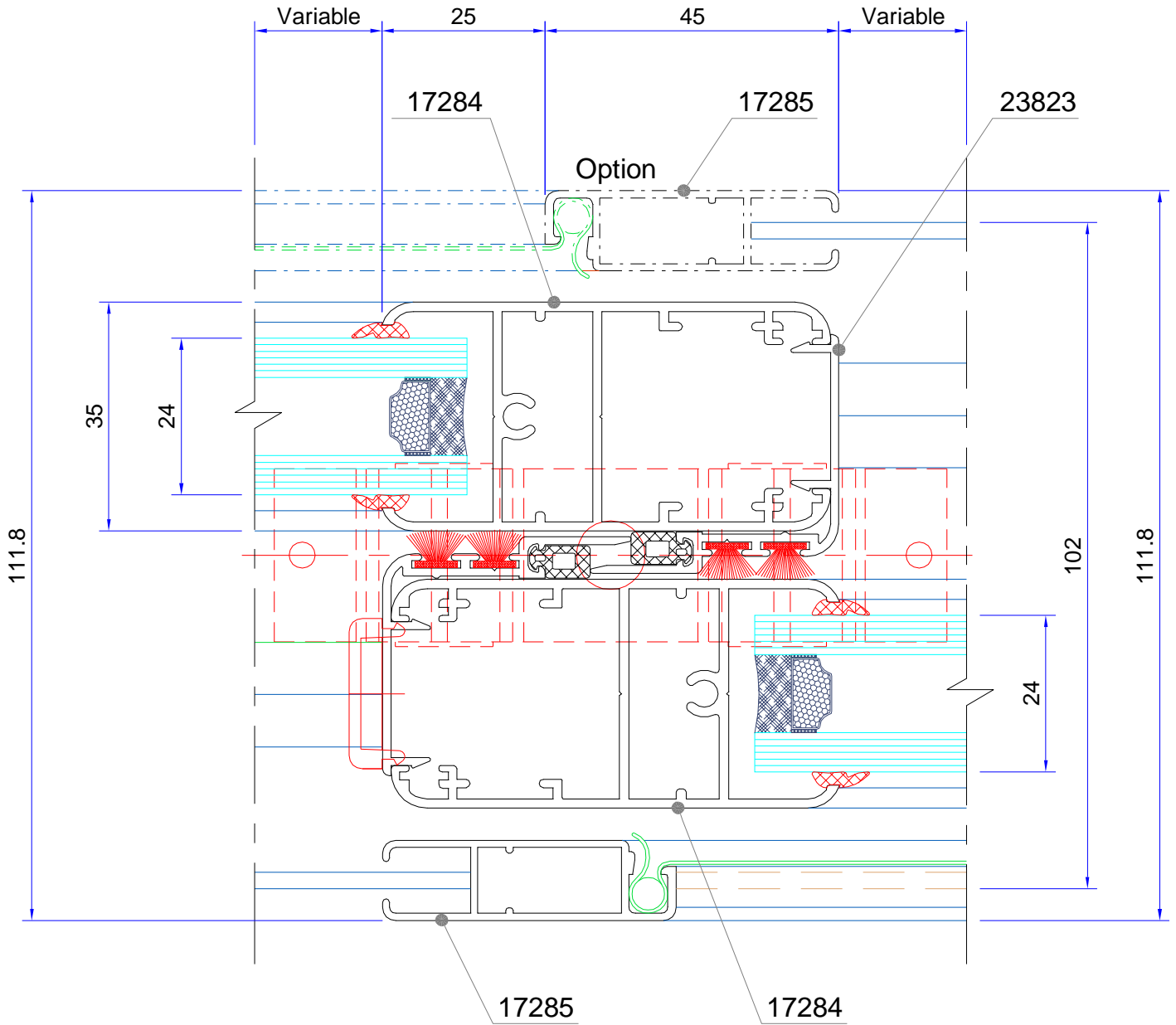


2 Sash Sliding Window With Top Fixed
With Fly screen Inside /Out side

All dimension in cross section are shown in mm
Profiles are not necessarily shown in scale

Detail :B

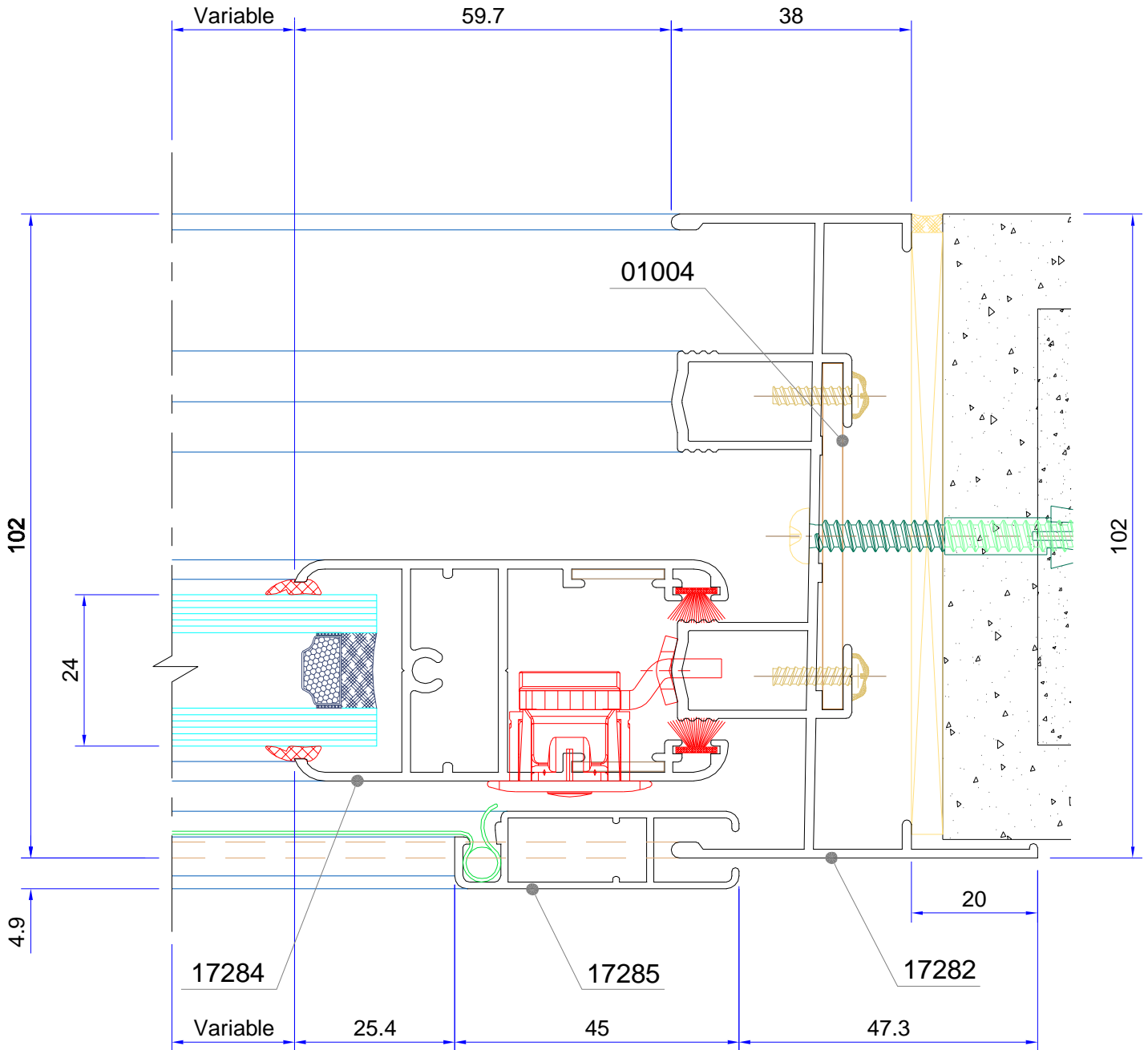
OUTSIDE



INSIDE

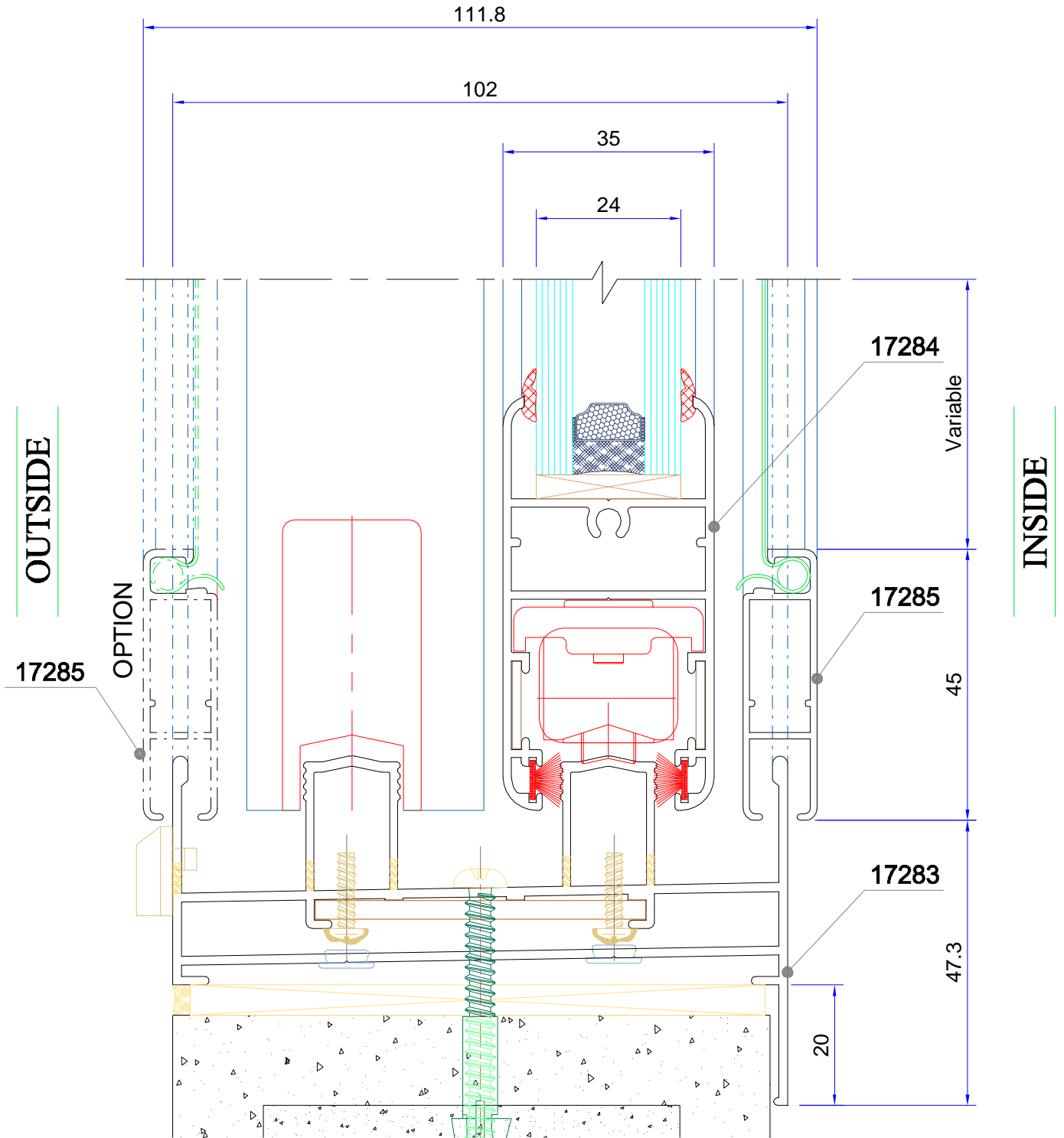
Detail :C

OUTSIDE

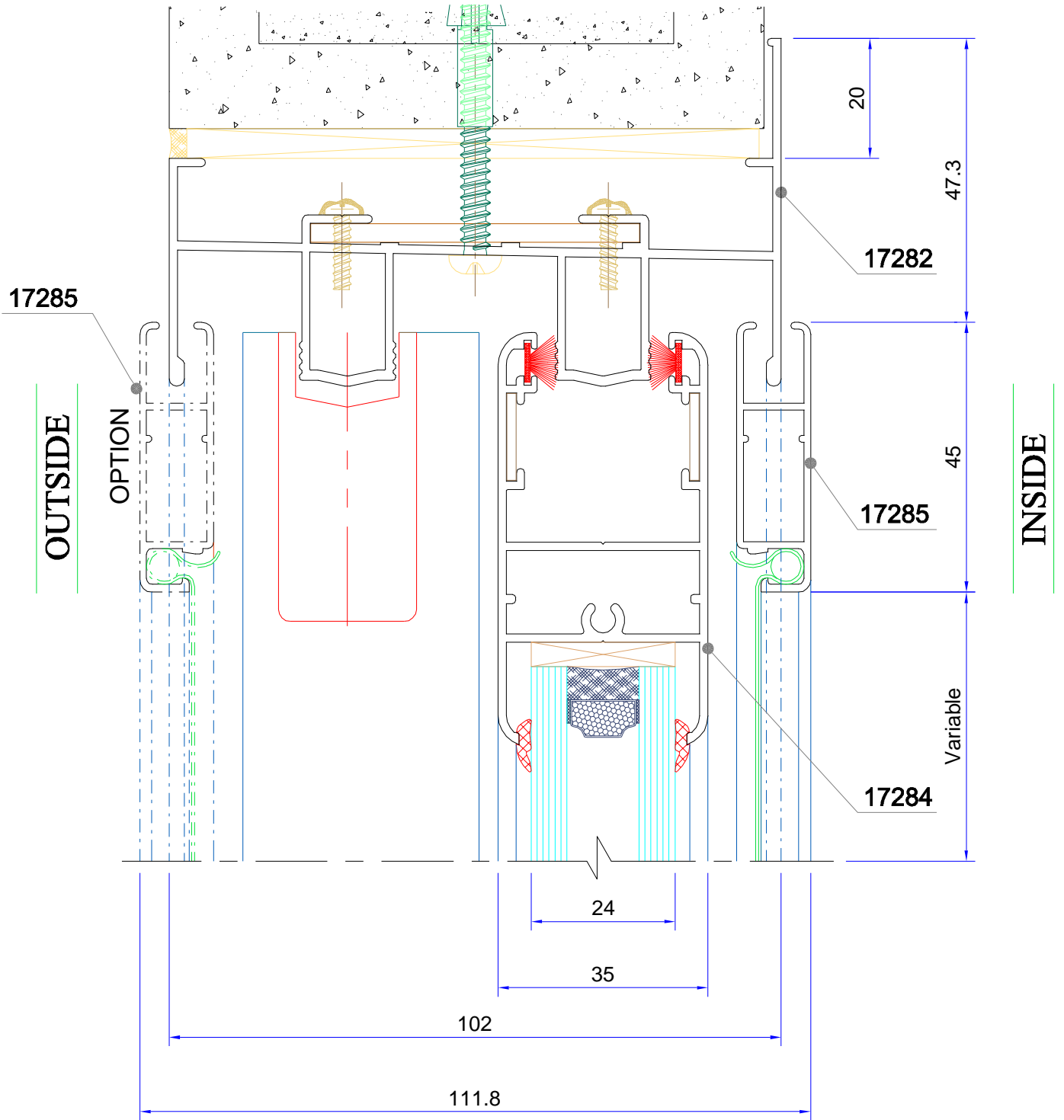


INSIDE

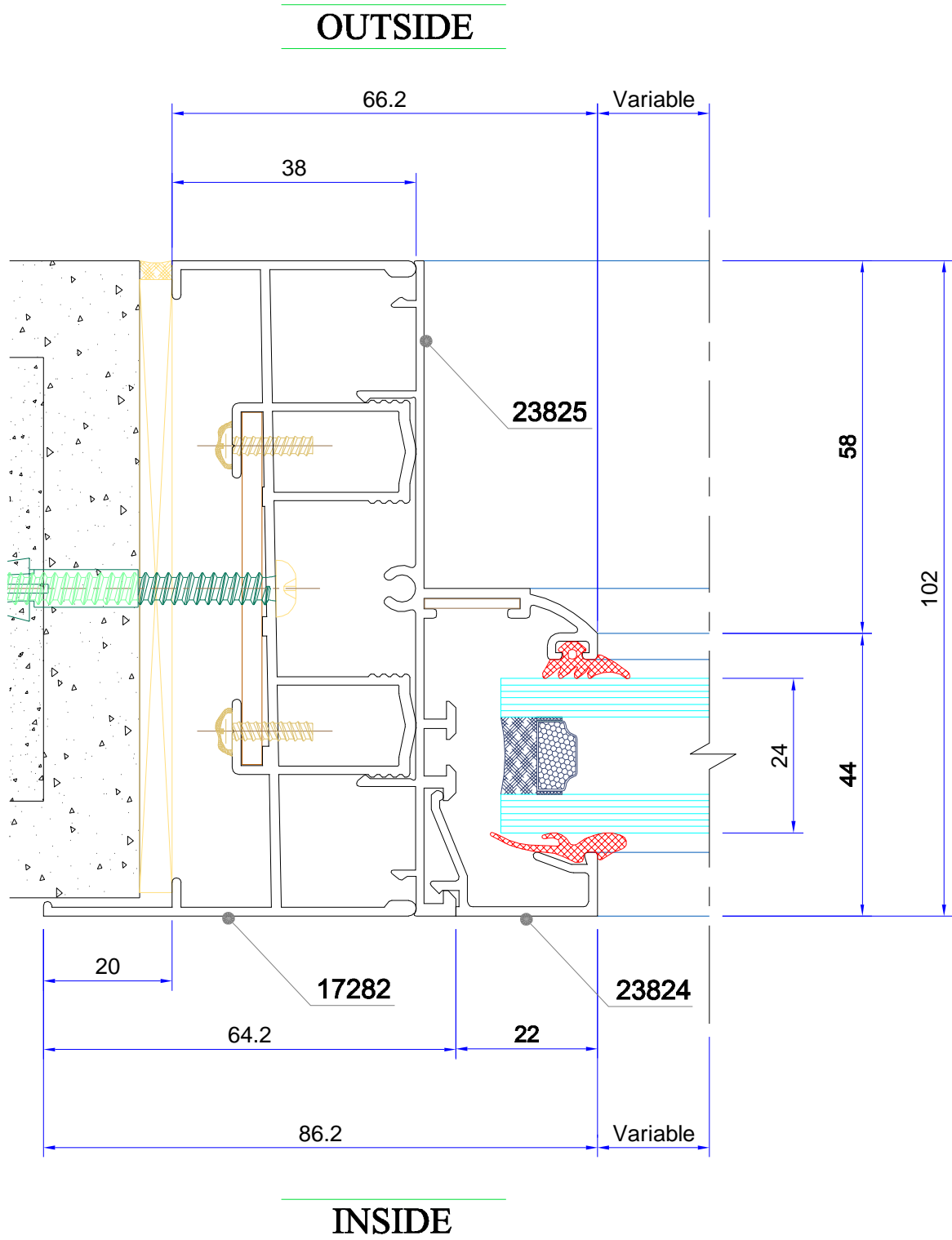
Detail :D



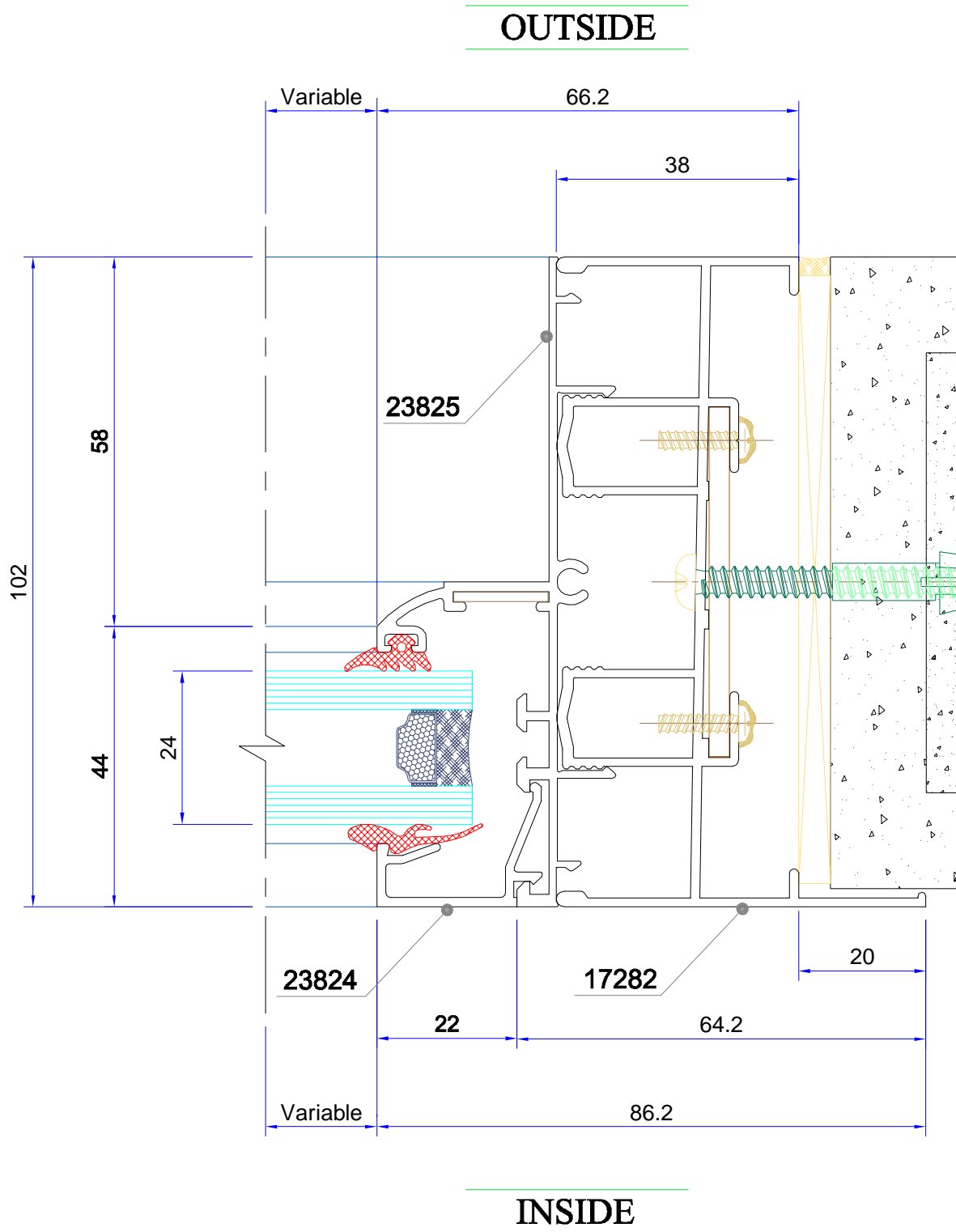
Detail :E



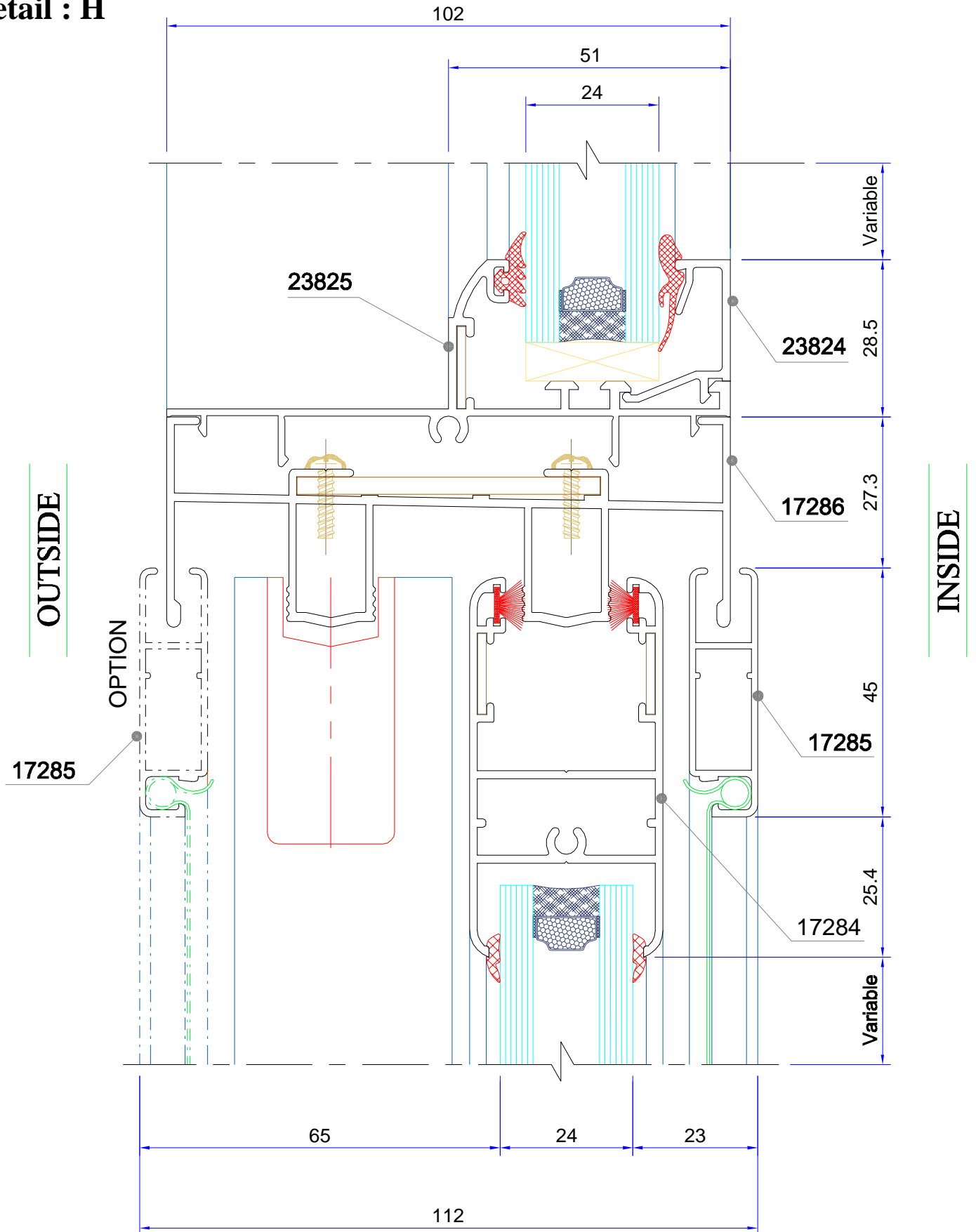
Detail : F



Detail : G



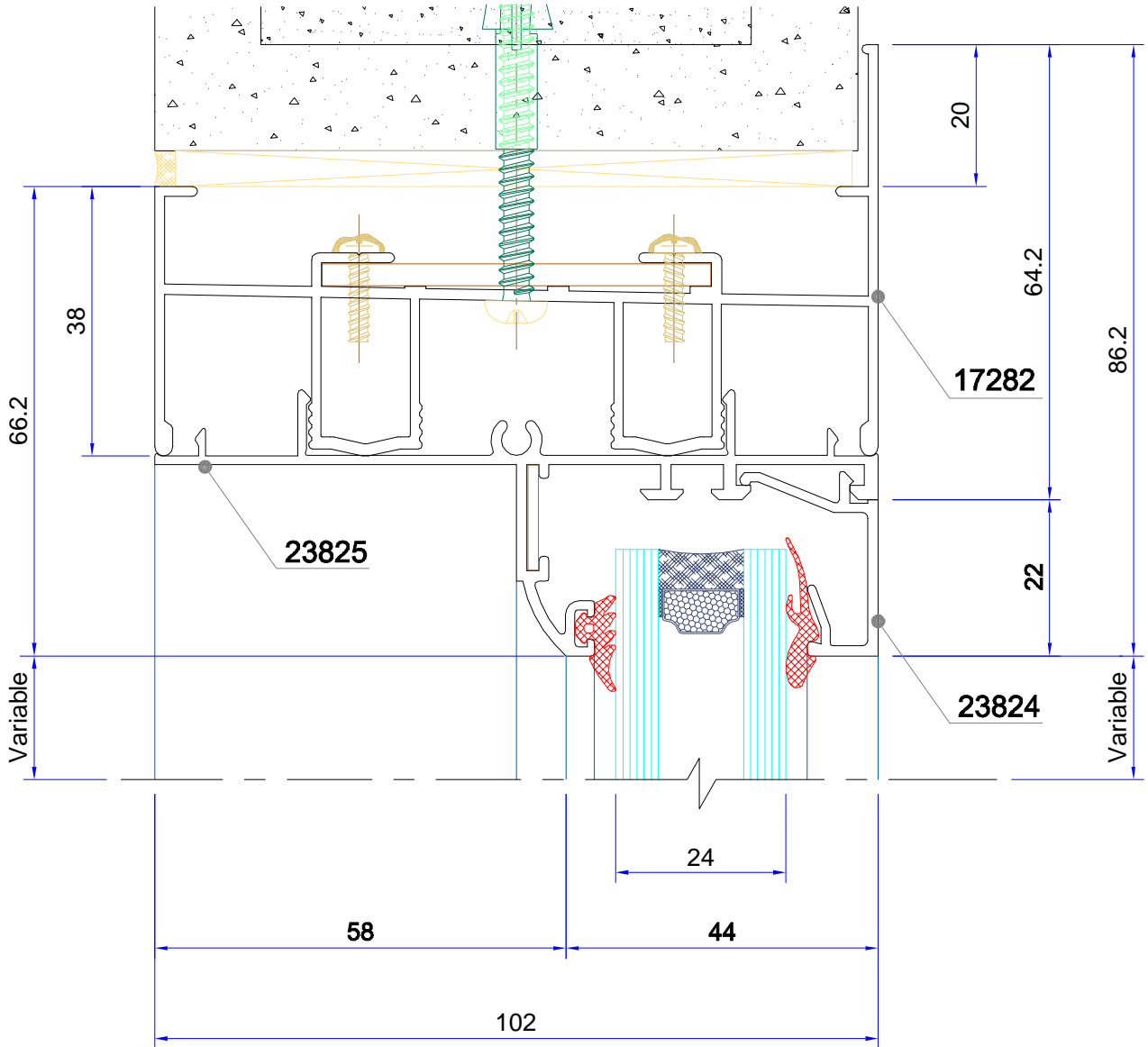
Detail : H

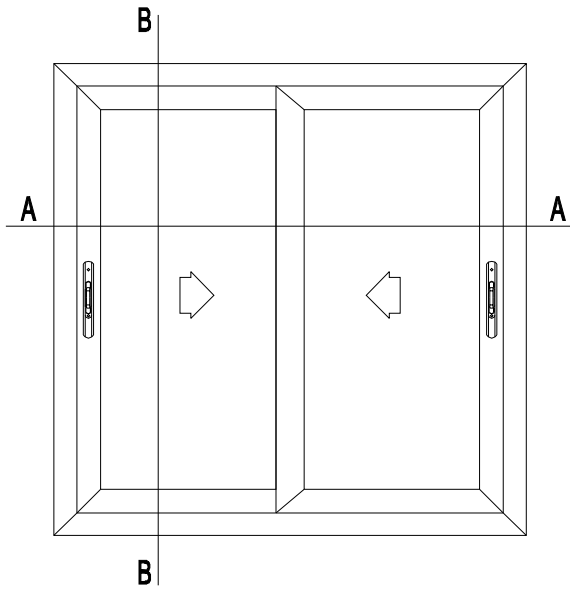


Detail : I

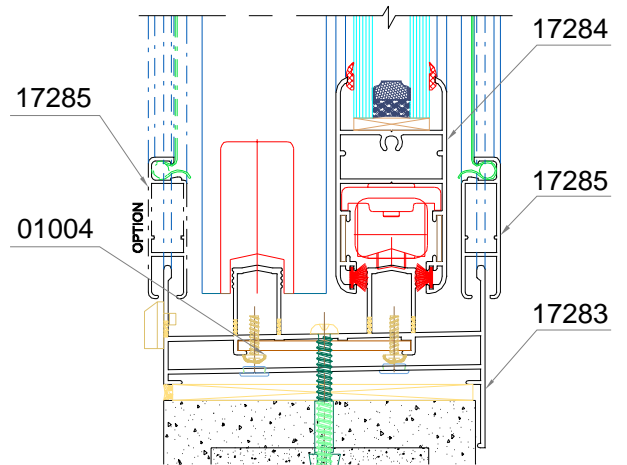
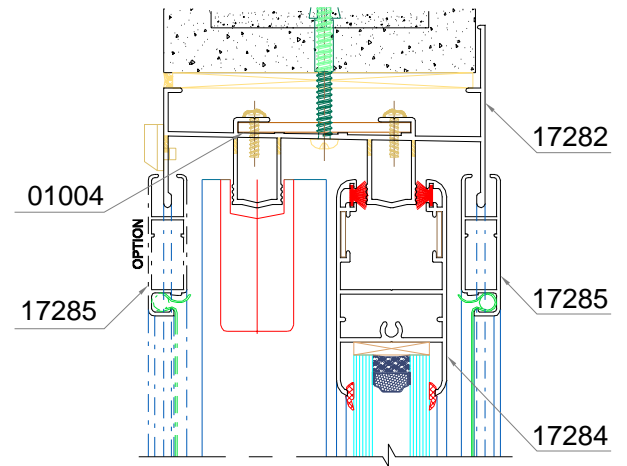
OUTSIDE

INSIDE

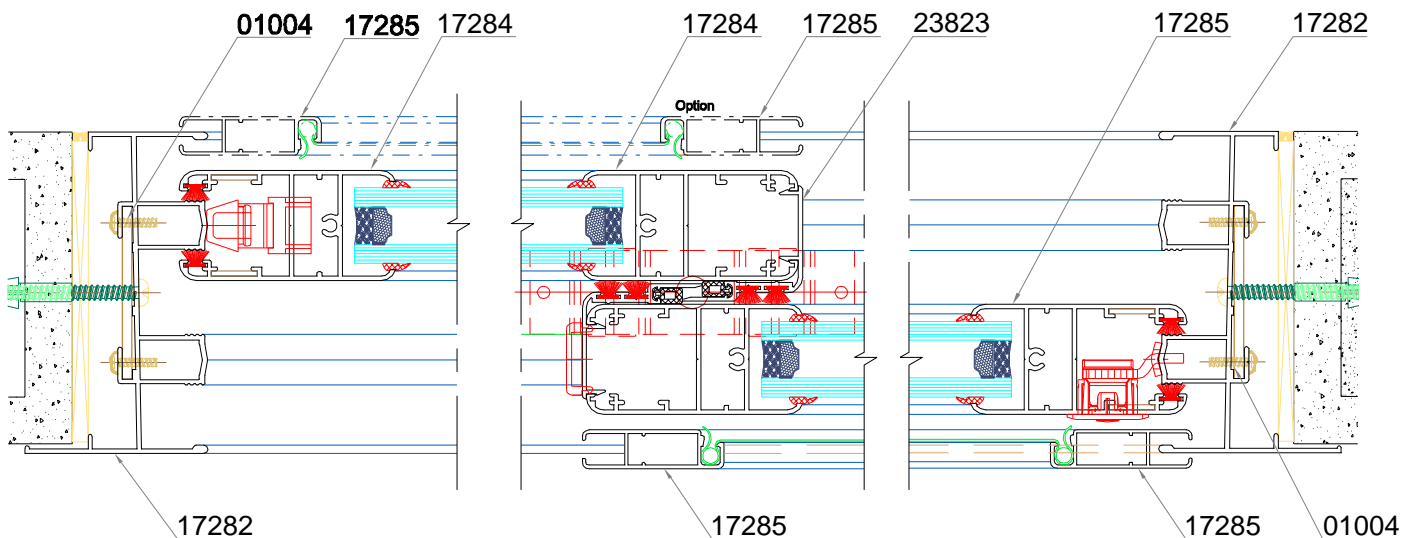


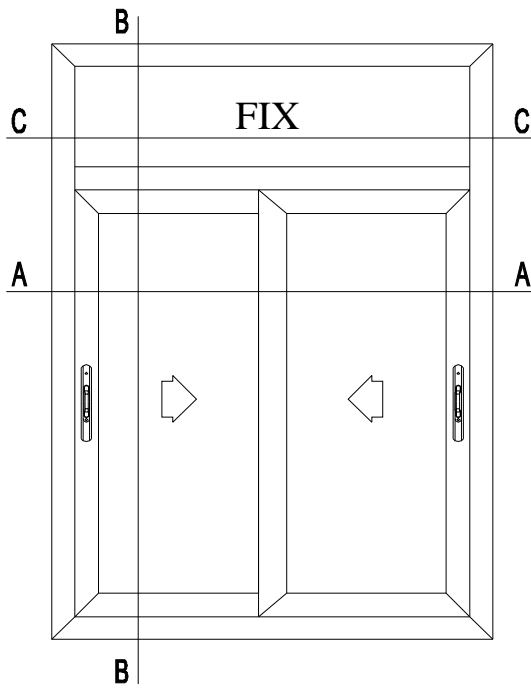


2 Sash Window



Profiles (Double Glazing)		
Description	Shape	Section No.
Bottom Frame		17283
Top/ Side Frame		17282
Sash		17284
Interlock		23823
Fly Screen		17285
Angle 40x40x3		01004





2 Sash Window With Top Fixed

Profiles (Double Glazing)		
Description	Shape	Section No.
Bottom Frame		17283
Top/ Side Frame		17282
Frame w/o Archtrive		17286
Fixed Adaptor		23825
Sash		17284
Interlock		23823
Fly Screen		17285
Glazing Bead		23824
Angle 40x40x3		01004

