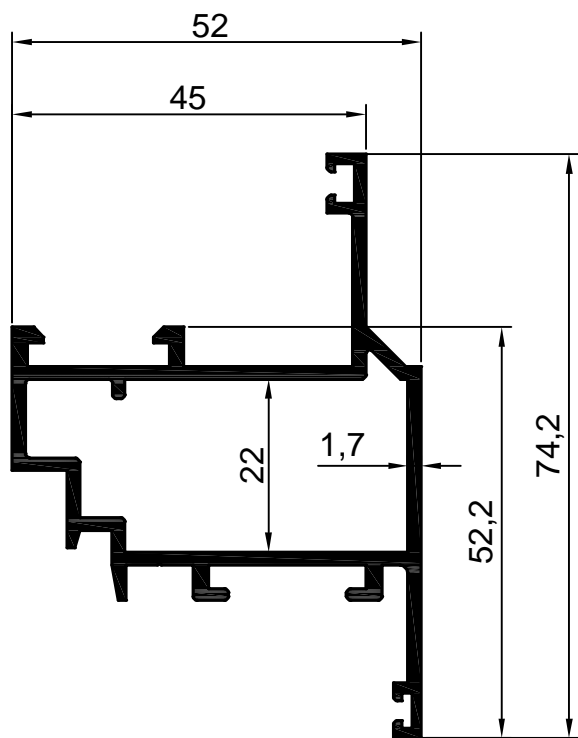
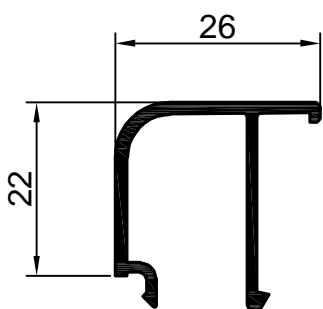


**13628**  
 (1.306 kg/m) 1.8 mm Thickness

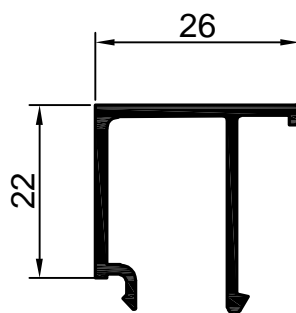


**16685**  
 (0.967 kg/m) 1.4 mm Thickness

**13789**  
 (1.089 kg/m) 1.7 mm Thickness



**11730**  
 (0.286 kg/m)



**10371**  
 (0.298 kg/m)  
 Wall thickness-1.5 mm

**22927**  
 (0.269 kg/m)  
 Wall thickness-1.2 mm